

TRIAXDYN

Natural frequency : (1)
10 Hz



DESCRIPTION

This anti-vibration mount Triaxdyn comprises two elastomers which are assembled into a casting and pre-loaded.

The mounting is designed to offer :

- a large deflection (in axial);
- different stiffness in three axis;
- built-in stops to limit movement in all directions.

Note : the mount body can be modified to offer alternative interface dimensions providing the internal interface with the elastomer is maintained.

APPLICATIONS

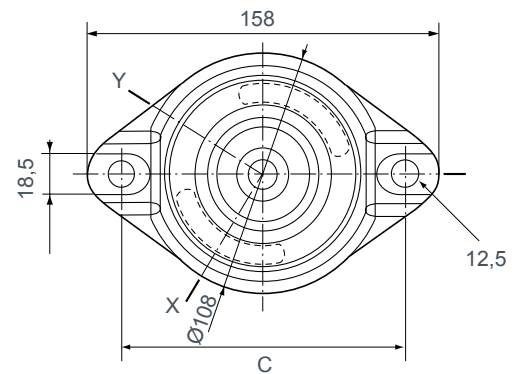
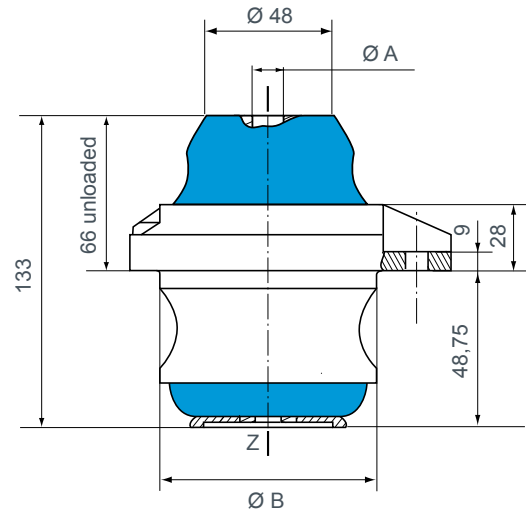
This mount has been designed to isolate engines or cabs in fixed or mobile applications with a high level of isolation and shock protection. Its compact design enables fail safe suspension of loads from 150 to 280 kg.

It is suitable for :

- engine mounting;
- cab mounting;
- equipment mounting.

DIMENSIONS CHARACTERISTICS

- Nominal load : 150 to 280 kg.
Possibility to extend, on request, the load range up to 350 kg.
- Different stiffness in three axis (for a hardness 50) :
 - axial on Z : 500 N/mm;
 - radial on X (in direction of voids) : 350 N/mm;
 - radial on Y (at 90 deg. to voids) : 500 N/mm.
 The geometry of the part provides low dynamic stiffness in the vertical dimension.
- Maximum deflection :
 - axial : ± 10 mm, ± 4 g;
 - radial : ± 6 mm, ± 2.5 g.
- Operating temperature :
 - 40 up to + 80°C.
- Salt spray protection 400 h. for external aluminium metalwork.



Mounting

Reference	Ø A (mm)	Ø B (mm)	C (mm)
905233	12,4	94	128

* Note: custom made part, many variants available, contact us.